

**PRODUCT
CATALOG**

 **FABER**
ON AIR. SINCE 1955

02
Key Features

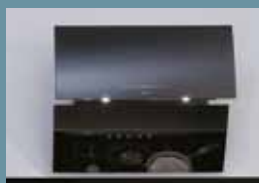


7 - Matrix

03
Image Collection



8 - Orizzonte



4 - Mirror



5 - Cylindra



6 - Cylindra Isola

9
Designer Collection



10 - Tratto



11 - Tratto Isola



12 - Stilo



13 - Stilo Isola



14 - Diamante



15 - Diamante Isola

16
Decorative Collection



17 - Classica



18 - Gemma



19 - Glassy



20 - Glassy Isola



21 - Synthesis



22 - Tender



23 - Dama



24 - Dama Isola



25 - Perla

26
Professional Collection



27 - Fortezza Isola



28 - Maestrale



29 - Magnum



30 - Pellicano

31
Integrated Collection



32 - Velvet



33 - Jewel



34 - Cristal 24 SS



35 - Cristal HC



36 - Agio

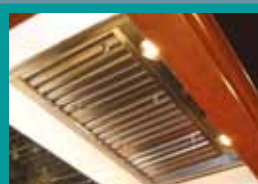


37 - Scirocco Plus

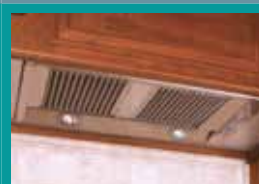


38 - Scirocco

39
Built In Collection



40 - Inca Pro Plus



41 - Inca Pro 30



42 - Inca HC SS



43 - Inca Smart Stainless



44 - Inca Smart Gray

Note: Specifications are subject to change

FABER CATALOG

INDEX

PRO 	PRO motor - Extracts air from the kitchen at up to 600 CFM and is extremely quiet at normal speeds. Faber's most efficient and effective blower that uses metal impellers and metal housing.
ENERGY 	Energy motor - Reduces noise up to 3 db(a) and the range hood efficiency is improved by 30% over typical motors even in the longest of duct runs
COMFORT PANEL 	Comfort Panel - Reduces perceived sound by 25% Advanced perimetric suction that guarantees optimal effectiveness. Air accelerates as it passes through the stainless steel panel on the bottom of the hood and then decreases immediately inside the hood. Air is then exhausted out of the hood with less energy expelled by the motor.
SILENT KIT 	Silent kit - Reduces the perceived sound by up to 25% Sound-absorbing cushions located on the sides of the motor soundproof the hood.
EASY CUBE 	Easy Cube - Allows for slim profile design hoods by moving the motor in a box above the canopy. Installation is made easy with built-in eye screw holes and leveling screws.
DIRECT VENT 	Direct Vent - Direct Venting hoods have the ability to rotate the blower so ducting can be vertical (up) or horizontal (back). Venting to the back eliminates extra ducting and elbows improving performance.
EASY SNAP 	Easy Snap - Easy Snap clips are built in installation hardware that allow for simple and safe installation using a butterfly clip which clamps down on the cabinet floor creating a tight seal.
SPEED 	Intensive speed - Function which activates maximum venting power for 10 minutes to vent the kitchen quickly.
DELAY 30' 	30 Minute Delay Off - Automatically turns off the range hood after 30 minutes to complete elimination of residual kitchen odors.
HOUR 24 	24 Hour Mode - Function which allows the hood to be switched on for 24 hours a day for continuous air refreshing with a very low noise level
FILTER ALARM 	Filter saturation alarm - Warns you when it is time to clean the grease filters or change the charcoal filters.
REMOTE CONTROL 	Remote control - Remotely operate the controls of the hood from a hand held battery operated remote
COMFORT LIGHT 	Courtesy light - Reduced hood light intensity with the simple press of a button. Thanks to its low level of energy consumption, the courtesy light can be left on for longer periods of time.
DIMMER LIGHT 	Dimmer light - Adjusts hood courtesy light with the simple press of a button to meet all your lighting needs.



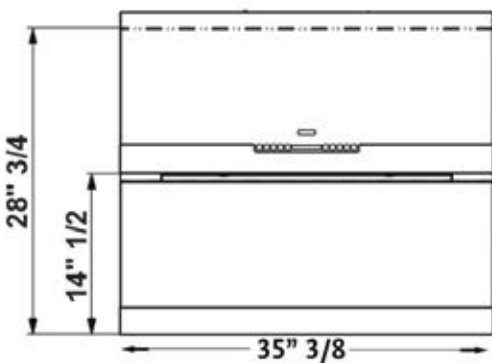
- MIRROR 36 Stainless and Black Glass Wall Range Hood - **Model: MIRR36BK**



- PRO**
- SPEED**
- DELAY**
- FILTER ALARM**
- HOUR**
- DIMMER LIGHT**

- 600 cfm PRO**
- Electronic soft touch**
- 2 halogen, five level**
- dishwasher safe mesh**
- 36"**
- 6" round**

	1	2	3	4	INT
SPEED					
CFM	160	275	335	450	600
W	115	220	270	310	490
dB(A)	46	53	57	62	68
SONES	1.5	2.5	3.5	4.5	6.5



ACCESSORIES

Description	Model
Charcoal Filter Kit	FILTER1
6" Make Up Air Kit	MUDAMPER6

- CYLINDRA 15 Stainless Wall Range Hood - **Model: CYLN15SS**



Note: 2 Cylindras shown in photo

600 cfm PRO

Electronic touch with LED

2 halogen, two level

dishwasher safe mesh

15"

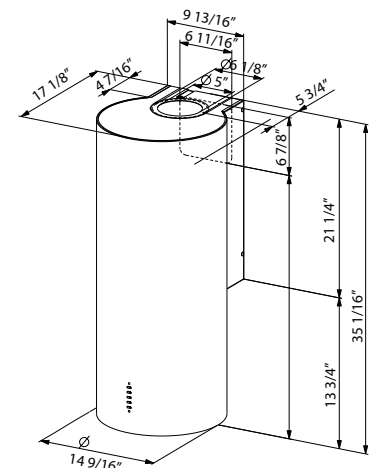
6" round

SPEED	1	2	3	4	INT
CFM	160	275	335	450	600
W	115	220	270	310	490
dB(A)	46	53	57	62	68
SONES	1.5	2.5	3.5	4.5	6.5

- PRO**
- COMFORT PANEL**
- SPEED**
- DELAY 30'**
- FILTER ALARM**
- HOUR +24**
- REMOTE CONTROL**
(optional)
- COMFORT LIGHT**

ACCESSORIES

Description	Model
Charcoal Filter Kit	FILTER2
Glass Canopy Kit (36" x 20")	GLSCYLN
CFM Reducer Kit	CFMRED
6" Make Up Air Kit	MUDAMPER6
Remote Control	REMCTRL



CYLINDRA ISOLA

[RETURN TO INDEX](#)

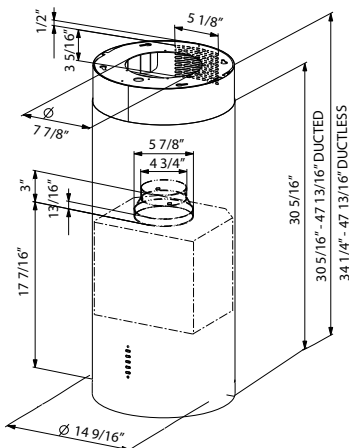
- CYLINDRA ISOLA 15 Stainless Island Range Hood - **Model: CYLNIS15SS**



- PRO**
- COMFORT PANEL**
- SPEED**
- DELAY 30'**
- FILTER ALARM**
- HOUR 24**
- REMOTE CONTROL**
- (optional)
- COMFORT LIGHT**

- 600 cfm PRO**
- Electronic touch with LED**
- 2 halogen, two level**
- dishwasher safe mesh**
- 15"**
- 6" round**

SPEED	1	2	3	4	INT
CFM	160	275	335	450	600
W	115	220	270	310	490
dB(A)	46	53	57	62	68
SONES	1.5	2.5	3.5	4.5	6.5



ACCESSORIES

Description	Model
Charcoal Filter Kit	FILTER2
Glass Canopy Kit (36" x 25")	GLSCYLNIS
CFM Reducer Kit	CFMRED
6" Make Up Air Kit	MUDAMPER6
Remote Control	REMCTRL

- MATRIX 36 Stainless Wall Range Hood - **Model: MATR36SS**



 **600 cfm PRO**

 **Electronic touch with LED**

 **3 halogen, two level**

 **dishwasher safe mesh**

 **36"**

 **6" round**

SPEED	1	2	3	4	INT
CFM	160	275	335	450	600
W	115	220	270	310	490
dB(A)	46	53	57	62	68
SONES	1.5	2.5	3.5	4.5	6.5



ACCESSORIES

Description

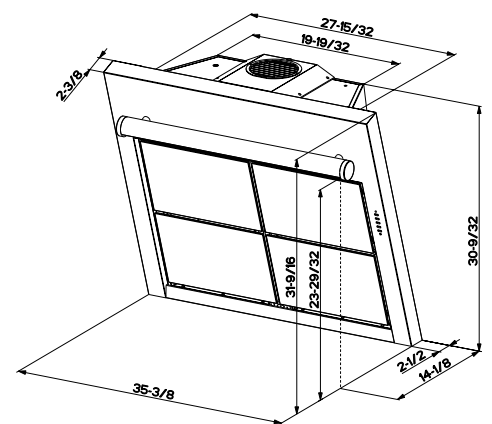
Charcoal Filter Kit

6" Make Up Air Kit

Model

FILTER1

MUDAMPER6



Note: diagram shows ductless installation

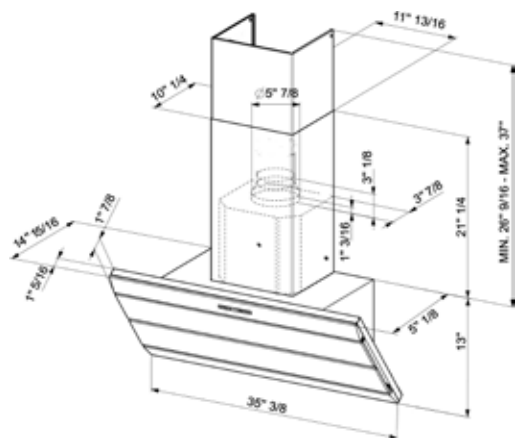
- ORIZZONTE 36 Stainless Wall Range Hood - **Model: ORIZ36SS**



- PRO**
- COMFORT PANEL**
- EASY CUBE**
- SPEED**
- DELAY 30'**
- FILTER ALARM**
- HOUR 4h**
- REMOTE CONTROL**
- (optional)
- COMFORT LIGHT**

- 600 cfm PRO**
- Electronic touch with LED**
- 2 halogen, two level**
- dishwasher safe mesh**
- 36"**
- 6" round**

	1	2	3	4	INT
SPEED					
CFM	160	275	335	450	600
W	115	220	270	310	490
dB(A)	46	53	57	62	68
SONES	1.5	2.5	3.5	4.5	6.5



ACCESSORIES

Description	Model
High Ceiling Kit	HIGH1
Ductless Conversion Kit	DUCT1
Replacement Charcoal Filter Kit	FILTER2
CFM Reducer Kit	CFMRED
6" Make Up Air Kit	MUDAMPER6
Remote Control	REMCTRL



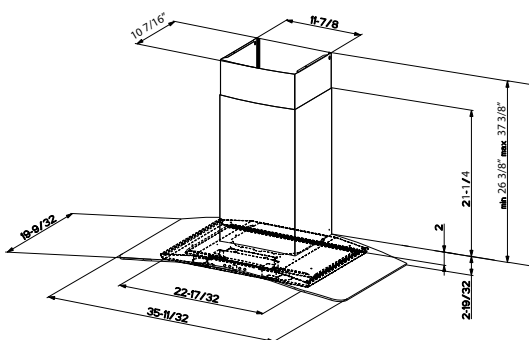
- TRATTO 36 Glass & Stainless Wall Range Hood - **Model: TRAT36SS**



- ENERGY
- SILENT KIT
- EASY CUBE
- SPEED
- DELAY 30'
- COMFORT LIGHT

- 600 cfm**
- Electronic touch with LED**
- 2 halogen, two level**
- dishwasher safe ss mesh**
- 36"**
- 6" round**

	1	2	3	INT
SPEED				
CFM	270	390	500	600
W	250	290	350	370
dB(A)	55	61	66	71
SONES	2.8	4.3	6.0	7.5



ACCESSORIES

Description	Model
High Ceiling Kit	HIGHTRAT
Ductless Conversion Kit	DUCTTRAT
Replacement Charcoal Filter	FILTER2
CFM Reducer Kit	CFMRED
6" Make Up Air Kit	MUDAMPER6

- TRATTO ISOLA 36 Glass & Stainless Island Range Hood - **Model: TRATIS36SS**



600 cfm

Electronic touch with LED

4 halogen, two level

dishwasher safe ss mesh

36"

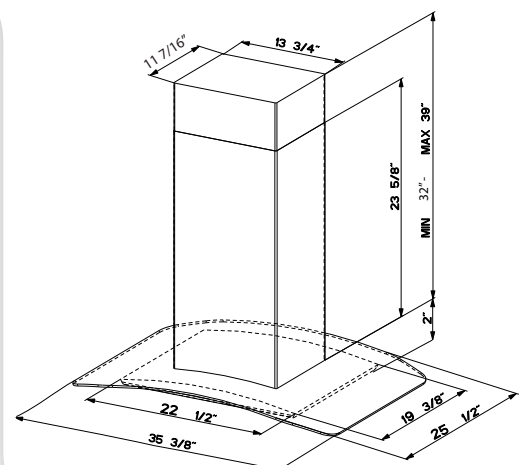
6" round

SPEED	1	2	3	INT
CFM	270	390	500	600
W	290	330	390	410
dB(A)	55	61	66	71
SONES	2.8	4.3	6.0	7.5

- ENERGY
- SILENT KIT
- EASY CUBE
- SPEED
- DELAY 30"
- COMFORT LIGHT

ACCESSORIES

Description	Model
High Ceiling Kit	HIGH2
Ductless Conversion Kit	DUCT2
Replacement Charcoal Filter	FILTER2
CFM Reducer Kit	CFMRED
6" Make Up Air Kit	MUDAMPER6



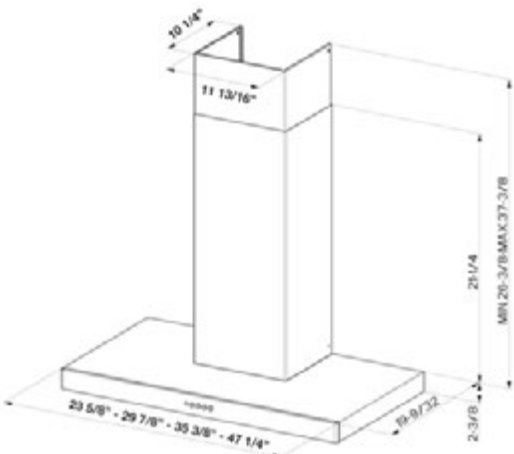
- STILO 24 Stainless Wall Range Hood - **Model: STIL24SS**
- STILO 30 Stainless Wall Range Hood - **Model: STIL30SS**
- STILO 36 Stainless Wall Range Hood - **Model: STIL36SS**
- STILO 48 Stainless Wall Range Hood - **Model: STIL48SS**



- PRO
- SILENT KIT
- EASY CUBE
- SPEED
- DELAY 30"
- COMFORT LIGHT

- 600 cfm PRO**
- Electronic touch w/ LED**
- 2 halogen, two level**
- dishwasher safe baffle**
- 24, 30, 36, 48"**
- 6" round**

	1	2	3	INT
SPEED				
CFM	260	400	500	600
W	250	290	350	370
dB(A)	52	60	66	70
SONES	2.5	4.0	6.0	7.0



ACCESSORIES

Description	Model
High Ceiling Chimney Kit	HIGH1
Ductless Conversion Kit	DUCT1
Replacement Charcoal Filter	FILTER2
CFM Reducer Kit	CFMRED
6" Make Up Air Kit	MUDAMPER6

- STILO ISOLA 36 Stainless Island Wall Range Hood - **Model: STILIS36SS**
- STILO ISOLA 48 Stainless Island Wall Range Hood - **Model: STILIS48SS**

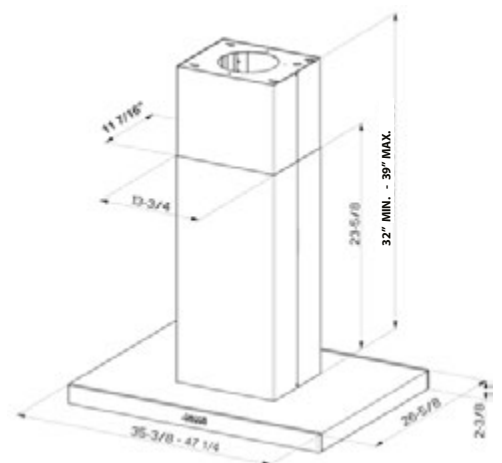


600 cfm PRO	SPEED	1	2	3	INT
Electronic touch w/ LED	CFM	260	400	500	600
4 halogen, two level	W	290	330	390	410
dishwasher safe baffle	dB(A)	52	60	66	70
36, 48"	SONES	2.5	4.0	6.0	7.0
6" round					

- PRO**
- SILENT KIT**
- EASY CUBE**
- SPEED**
- DELAY 30**
- COMFORT LIGHT**

ACCESSORIES

Description	Model
High Ceiling Chimney Kit	HIGH2
Ductless Conversion Kit	DUCT2
Replacement Charcoal Filter	FILTER2
CFM Reducer Kit	CFMRED
6" Make Up Air Kit	MUDAMPER6



DIAMANTE

[RETURN TO INDEX](#)

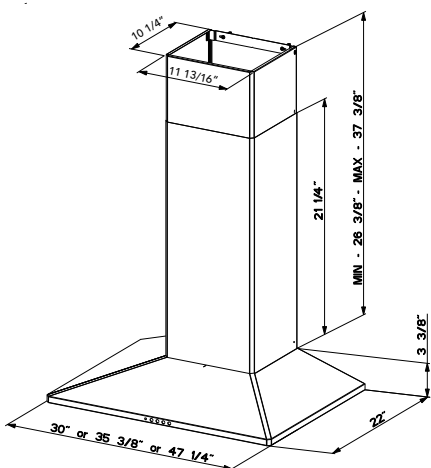
- DIAMANTE 30 Stainless Wall Range Hood - **Model: DIAM30SS**
- DIAMANTE 36 Stainless Wall Range Hood - **Model: DIAM36SS**
- DIAMANTE 48 Stainless Wall Range Hood - **Model: DIAM48SS**



- PRO
- SILENT KIT
- EASY CUBE
- SPEED
- DELAY 30"
- COMFORT LIGHT

- 600 cfm PRO
- Electronic touch w/ LED
- 2 or 3 halogen, two level
- dishwasher safe baffle
- 30, 36, 48"
- 6" round

	1	2	3	INT
SPEED				
CFM	260	400	500	600
W	250	290	350	370
dB(A)	52	60	66	70
SONES	2.5	4.0	6.0	7.0



ACCESSORIES

Description	Model
High Ceiling Chimney Kit	HIGHDIAM
Ductless Conversion Kit	DUCTDIAM
Replacement Charcoal Filter	FILTER2
CFM Reducer Kit	CFMRED
6" Make Up Air Kit	MUDAMPER6

-DIAMANTE ISOLA 36 Stainless Island Range Hood - **Model: DIAMIS36SS**



600 cfm PRO



Electronic touch w/ LED



4 halogen, two level



dishwasher safe baffle



36"



6" round



SPEED	1	2	3	INT
-------	---	---	---	-----



CFM	260	400	500	600
-----	-----	-----	-----	-----



W	290	330	390	410
---	-----	-----	-----	-----



dB(A)	52	60	66	70
-------	----	----	----	----



SONES	2.5	4.0	6.0	7.0
-------	-----	-----	-----	-----

PRO

SILENT KIT

EASY CUBE

SPEED

DELAY 30"

COMFORT LIGHT

ACCESSORIES

Description

High Ceiling Chimney Kit

Model

HIGHDIAMIS

Ductless Conversion Kit

DUCTDIAMIS

Replacement Charcoal Filter

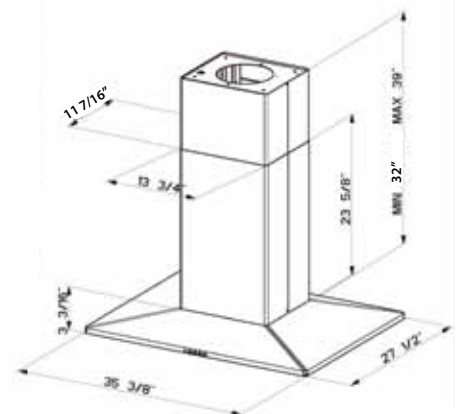
FILTER2

CFM Reducer Kit

CFMRED

6" Make Up Air Kit

MUDAMPER6





- CLASSICA 30 Stainless Wall Range Hood - **Model: CLAS30SS**
- CLASSICA 36 Stainless Wall Range Hood - **Model: CLAS36SS**



600 cfm

Electronic touch w/ LED

2 halogen

dishwasher safe mesh

30, 36"

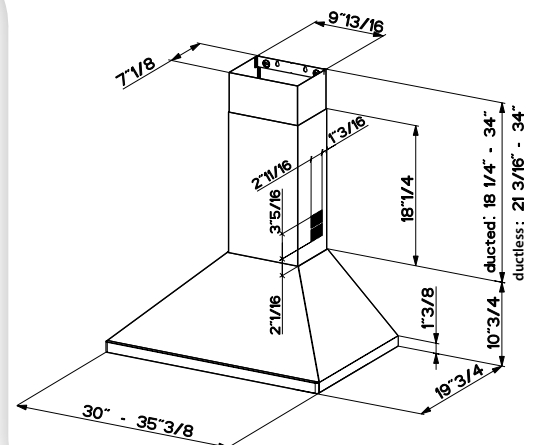
6" round

SPEED	1	2	3	INT
CFM	270	390	500	600
W	250	290	350	370
dB(A)	55	61	66	71
SONES	2.8	4.3	6.0	7.5



ACCESSORIES

Description	Model
High Ceiling Chimney Kit	HIGHCLAS
Ductless Conversion Kit	DUCTCLAS
Replacement Charcoal Filter	FILTER1
CFM Reducer Kit	CFMRED
6" Make Up Air Kit	MUDAMPER6



- GEMMA 24 Stainless Wall Range Hood - **Model: GEMM24SS**
- GEMMA 30 Stainless Wall Range Hood - **Model: GEMM30SS**
- GEMMA 36 Stainless Wall Range Hood - **Model: GEMM36SS**



600 cfm

Electronic touch w/ LED

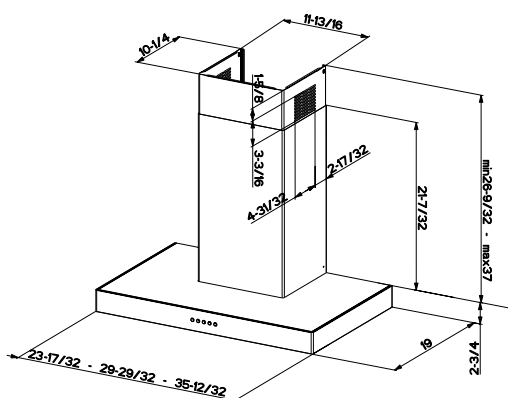
2 halogen

dishwasher safe mesh

24, 30, 36"

6" round

SPEED	1	2	3	INT
CFM	270	390	500	600
W	250	290	350	370
dB(A)	55	61	66	71
SONES	2.8	4.3	6.0	7.5



ACCESSORIES

Description	Model
High Ceiling Chimney Kit	HIGH1
Ductless Conversion Kit	DUCT3
Replacement Charcoal Filter	FILTER2
CFM Reducer Kit	CFMRED
6" Make Up Air Kit	MUDAMPER6

- GLASSY 30 Glass and Stainless Wall Range Hood - **Model: GLAS30SS**
- GLASSY 36 Glass and Stainless Wall Range Hood - **Model: GLAS36SS**



600 cfm

Electronic touch w/ LED

2 halogen

dishwasher safe mesh

30, 36"

6" round

SPEED	1	2	3	INT
CFM	270	390	500	600
W	250	290	350	370
dB(A)	55	61	66	71
SONES	2.8	4.3	6.0	7.5

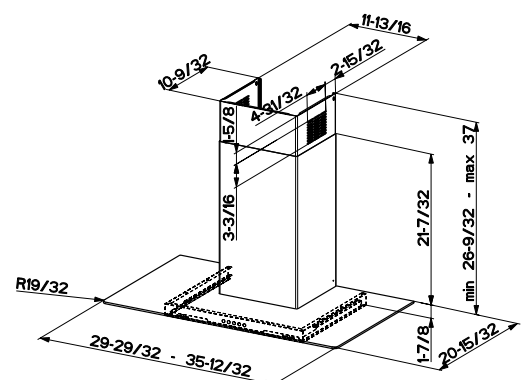
ENERGY

SPEED

EASY CUBE

ACCESSORIES

Description	Model
High Ceiling Chimney Kit	HIGH1
Ductless Conversion Kit	DUCT3
Replacement Charcoal Filter	FILTER2
CFM Reducer Kit	CFMRED
6" Make Up Air Kit	MUDAMPER6



-GLASSY ISOLA 36 Glass and Stainless Island Range Hood - **Model: GLASIS36SS**



600 cfm

Electronic touch w/ LED

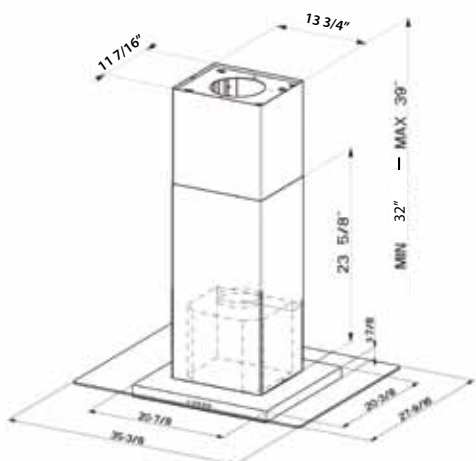
4 halogen

dishwasher safe mesh

36"

6" round

	1	2	3	INT
SPEED				
CFM	270	390	500	600
W	290	330	390	410
dB(A)	55	61	66	71
SONES	2.8	4.3	6.0	7.5



ACCESSORIES

Description	Model
High Ceiling Chimney Kit	HIGH2
Ductless Conversion Kit	DUCT2
Replacement Charcoal Filter	FILTER2
CFM Reducer Kit	CFMRED
6" Make Up Air Kit	MUDAMPER6

- SYNTHESIS 30 Stainless 600 CFM Wall Range Hood - **Model: SYNT30SS**
- SYNTHESIS 36 Stainless 600 CFM Wall Range Hood - **Model: SYNT36SS**
- SYNTHESIS 30 Stainless 300 CFM Wall Range Hood- **Model: SYNT30SS300**
- SYNTHESIS 36 Stainless 300 CFM Wall Range Hood- **Model: SYNT36SS300**



600 OR 300 cfm

Electronic touch w/ LED

2 halogen

dishwasher safe mesh

30, 36"

6" round

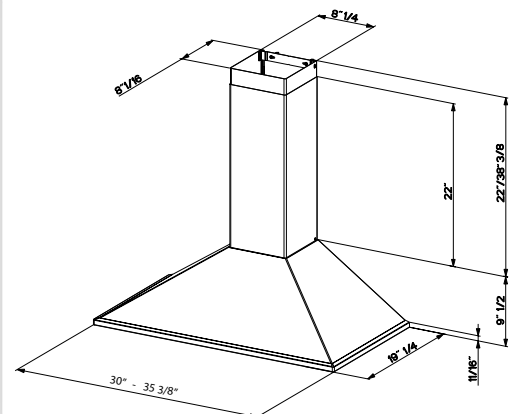
SPEED	1	2	3	INT
CFM	270	390	500	600
W	250	290	350	370
dB(A)	55	61	66	71
SONES	2.8	4.3	6.0	7.5



Note: Wattage calculated using 600 cfm model

ACCESSORIES

Description	Model
High Ceiling Chimney Kit	HIGHSYNT
Ductless Conversion Kit	DUCTSYNT
Replacement Charcoal Filter	FILTER1
6" Make Up Air Kit	MUDAMPER6

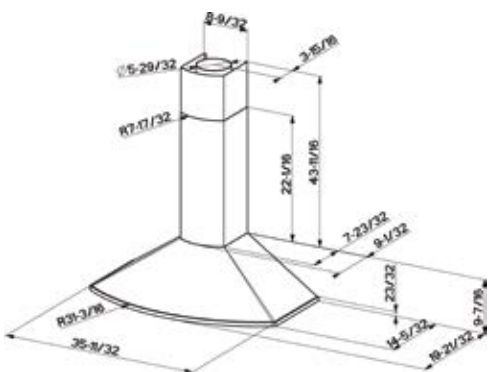


- TENDER 30 Stainless 600 CFM Wall Range Hood - **Model: TEND30SS**
- TENDER 36 Stainless 600 CFM Wall Range Hood - **Model: TEND36SS**
- TENDER 30 Stainless 300 CFM Wall Range Hood - **Model: TEND30SS300**
- TENDER 36 Stainless 300 CFM Wall Range Hood- **Model: TEND36SS300**



600 OR 300 cfm	SPEED	1	2	3	INT
Electronic touch w/ LED	CFM	270	390	500	600
2 halogen	W	250	290	350	370
dishwasher safe mesh	dB(A)	55	61	66	71
30, 36"	SONES	2.8	4.3	6.0	7.5
6" round					

Note: Wattage calculated using 600 cfm model



Note: 36" dimensions shown, 30" width and depth are different

ACCESSORIES

Description	Model
High Ceiling Chimney Kit	HIGHTNDR
Ductless Conversion Kit	DUCTTNR
Replacement Charcoal Filter	FILTER1
6" Make Up Air Kit	MUDAMPER6

- DAMA 30 Stainless 600 CFM Wall Range Hood - **Model: DAMA30SS**
- DAMA 36 Stainless 600 CFM Wall Range Hood - **Model: DAMA36SS**
- DAMA 30 Stainless 300 CFM Wall Range Hood - **Model: DAMA30SS300**
- DAMA 36 Stainless 300 CFM Wall Range Hood- **Model: DAMA36SS300**



600 PRO or 300 cfm

3 speed push

2 halogen

dishwasher safe mesh

30, 36"

6" round

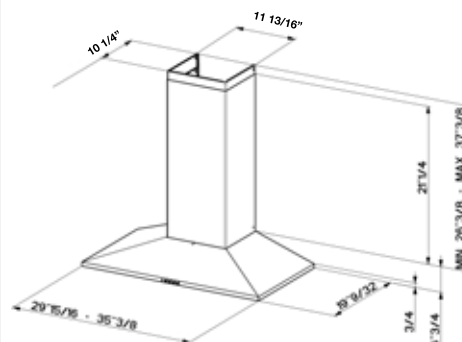
SPEED	1	2	3
CFM	200	400	600
W	230	370	510
dB(A)	52	60	70
SONES	2.3	4.0	7.0



Note: Wattage calculated using 600 cfm model

ACCESSORIES

Description	Model
High Ceiling Chimney Kit	HIGH1
Ductless Conversion Kit	DUCT1
Replacement Charcoal Filter	FILTER2
6" Make Up Air Kit	MUDAMPER6



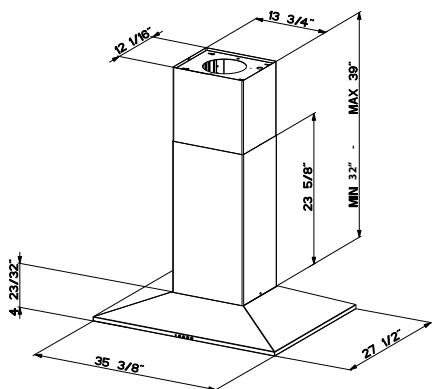
- DAMA ISOLA 36 Stainless 600 CFM Island Range Hood- **Model: DAMIS36SS**
- DAMA ISOLA 36 Stainless 300 CFM Island Range Hood- **Model: DAMIS36SS300**



- 600 OR 300 cfm**
- Electronic touch w/ LED**
- 4 halogen**
- dishwasher safe mesh**
- 36"**
- 6" round**

SPEED	1	2	3	INT
CFM	270	390	500	600
W	290	330	390	410
dB(A)	55	61	66	71
SONES	2.8	4.3	6.0	7.5

Note: Wattage calculated using 600 cfm model



ACCESSORIES

Description	Model
High Ceiling Chimney Kit	HIGH2
Ductless Conversion Kit	DUCT2
Replacement Charcoal Filter	FILTER2
6" Make Up Air Kit	MUDAMPER6

- PERLA 30 Stainless Wall Range Hood - **Model: PERL30SS**
- PERLA 36 Stainless Wall Range Hood - **Model: PERL36SS**



600 cfm PRO

3 speed slide

2 halogen

dishwasher safe mesh

30, 36"

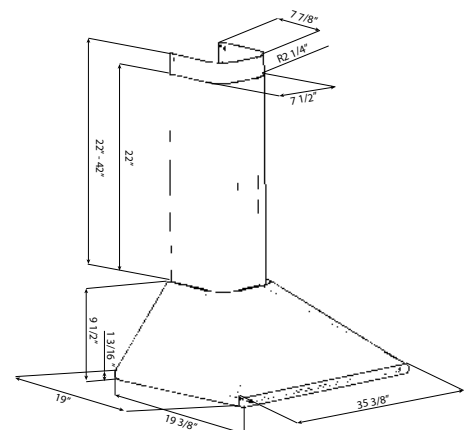
6" round

SPEED	1	2	3
CFM	200	400	600
W	230	370	510
dB(A)	52	60	70
SONES	2.3	4.0	7.0



ACCESSORIES

Description	Model
High Ceiling Chimney Kit	HIGHPERL
Ductless Conversion Kit	DUCTPERL
Replacement Charcoal Filter	FILTER1
CFM Reducer Kit	CFMRED
6" Make Up Air Kit	MUDAMPER6



Note: 36" dimensions shown, 30" model has slightly different dimensions



- FORTEZZA ISOLA 42 Stainless Island Range Hood - **Model: FORTIS42SS**
- FORTEZZA ISOLA 48 Stainless Island Range Hood - **Model: FORTIS48SS**



600 OR 1,200 cfm PRO

3 speed slide

4 halogen, 2 level

dishwasher safe baffle

42, 48"

6" round

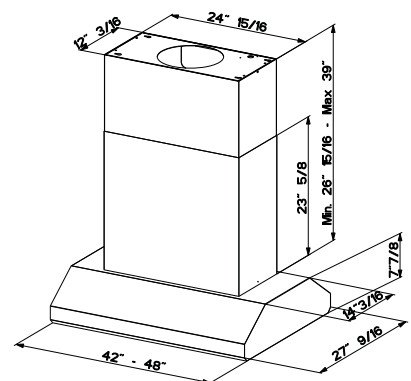
SPEED	1	2	3
CFM	200	400	600
W	270	410	550
dB(A)	52	60	70
SONES	2.5	4.0	7.0



Note: Wattage calculated using 600 cfm model

ACCESSORIES

Description	Model
High Ceiling Chimney Kit	HIGHFORTIS
10" Duct Transition Kit	TRNSPRO
6" Make Up Air Kit	MUDAMPER6
10" Make Up Air Kit	MUDAMPER10

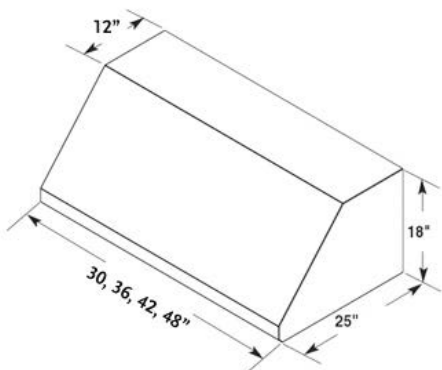


- MAESTRALE 30 Stainless Wall Range Hood - **Model: MAES30SS**
- MAESTRALE 36 Stainless Wall Range Hood - **Model: MAES36SS**
- MAESTRALE 42 Stainless Wall Range Hood - **Model: MAES42SS**
- MAESTRALE 48 Stainless Wall Range Hood - **Model: MAES48SS**



600 OR 1,200 cfm PRO	SPEED 1 2 3
3 speed slide	CFM 200 400 600
3 OR 4 halogen	W 250 390 530
dishwasher safe baffle	dB(A) 52 60 70
30, 36, 42, 48"	SONES 2.5 4.0 7.0
6" round	

Note: Wattage calculated using 600 cfm model



ACCESSORIES

Description	Model
Telescopic Chimney Kit	TELEMAES
Full Width Duct Cover 30	FULL30
Full Width Duct Cover 36	FULL36
Full Width Duct Cover 42	FULL42
Full Width Duct Cover 48	FULL48
10" Duct Transition Kit	TRNSPRO
6" Make Up Air Kit	MUDAMPER6
10" Make Up Air Kit	MUDAMPER10

- MAGNUM 24 Stainless Under Cabinet Range Hood - **Model: MAGN24SS**
- MAGNUM 30 Stainless Under Cabinet Range Hood - **Model: MAGN30SS**
- MAGNUM 36 Stainless Under Cabinet Range Hood - **Model: MAGN36SS**





 **600 cfm PRO**

 **3 speed slide**

 **2 or 3 halogen**

 **dishwasher safe baffle**

 **24, 30, 36"**

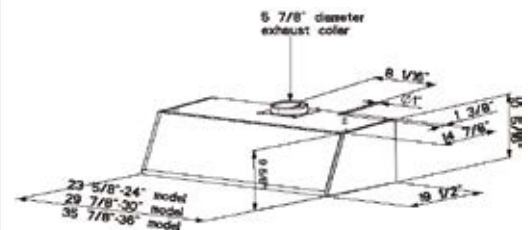
 **6" round**

SPEED	1	2	3
CFM	200	400	600
W	230	370	510
dB(A)	52	60	70
SONES	2.5	4.0	7.0

PRO 












ACCESSORIES

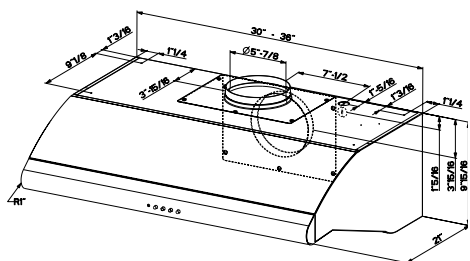
Description	Model
Ductless Vent Grate Kit 24	DUCTGRT24
Ductless Vent Grate Kit 30	DUCTGRT30
Ductless Vent Grate Kit 36	DUCTGRT36
Charcoal Filter Kit	FILTER1
CFM Reducer Kit	CFMRED
6" Make Up Air Kit	MUDAMPER6



- PELLICANO 30 Stainless Under Cabinet Range Hood - **Model: PELL30SS**
- PELLICANO 36 Stainless Under Cabinet Range Hood - **Model: PELL36SS**



 600 cfm PRO	 SPEED	1	2	3
 3 speed push	 CFM	200	400	600
 2 halogen	 W	230	370	510
 dishwasher safe SS mesh	 dB(A)	52	60	70
 30, 36"	 SONES	2.5	4.0	7.0
 6" round				



ACCESSORIES

Description	Model
Ductless Vent Grate Kit 30	DUCTGRT30
Ductless Vent Grate Kit 36	DUCTGRT36
Charcoal Filter Kit	FILTER1
CFM Reducer Kit	CFMRED
6" Make Up Air Kit	MUDAMPER6



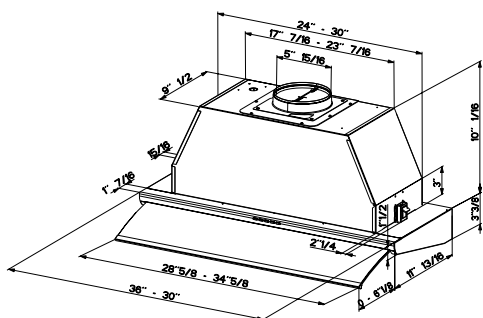
- VELVET 30 Glass and Stainless Slide Out Range Hood - **Model: VELV30SS**
- VELVET 36 Glass and Stainless Slide Out Range Hood - **Model: VELV36SS**



- PRO
- COMFORT PANEL
- EASY SNAP
- DIRECT VENT
- SPEED
- COMFORT LIGHT

- 600 cfm PRO
- Electronic touch with LED
- 2 halogen, two level
- dishwasher safe mesh
- 30, 36"
- 6" round

SPEED	1	2	3	4	INT
CFM	160	275	335	450	600
W	115	220	270	310	490
dB(A)	46	53	57	62	68
SONES	1.5	2.5	3.5	4.5	6.5



ACCESSORIES

Description	Model
Charcoal Filter Kit	FILTER1
CFM Reducer Kit	CFMRED
6" Make Up Air Kit	MUDAMPER6



- JEWEL 24 / 30 Custom Tilt Out Range Hood - **Model: JEWL2430**
- JEWEL 36 Custom Tilt Out Range Hood - **Model: JEWL36**



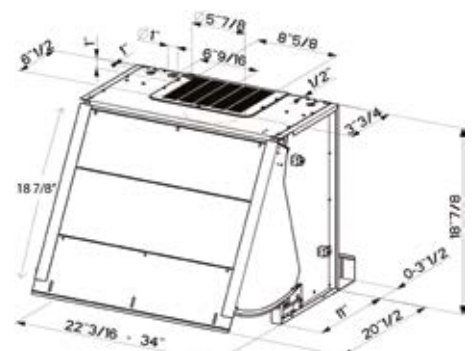
Note: Custom front panel shown on photo

600 cfm PRO	SPEED	1	2	3
3 speed push	CFM	200	400	600
2 halogen	W	230	370	510
dishwasher safe mesh	dB(A)	52	60	70
24, 30, 36"	SONES	2.3	4.0	7.0
6" round				



ACCESSORIES












Description	Model
Charcoal Filter Kit	FILTER1
CFM Reducer Kit	CFMRED
6" Make Up Air Kit	MUDAMPER6



- CRISTAL HC 30 Slide Out Range Hood* - **Model: CRIS30**
- CRISTAL HC 36 Slide Out Range Hood* - **Model: CRIS36**

* brushed aluminum, white and black front strips come in box



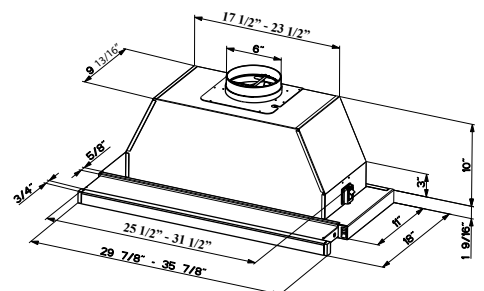
 500 cfm	 SPEED	1	2	3
 3 speed slide	 CFM	170	330	500
 fluorescent	 W	110	220	315
 dishwasher safe mesh	 dB(A)	50	60	65
 30, 36"	 SONES	2.0	4.0	6.0
 6" round				

DIRECT VENT

EASY SNAP

ACCESSORIES

Description	Model
Charcoal Filter Kit	FILTER1
CFM Reducer Kit	CFMRED
6" Make Up Air Kit	MUDAMPER6



AGIO

[RETURN TO INDEX](#)

- AGIO 24 White Tilt out Range Hood - **Model: AGIO24WH**
- AGIO 24 Black Tilt out Range Hood - **Model: AGIO24BK**
- AGIO 30 White Tilt out Range Hood - **Model: AGIO30WH**
- AGIO 30 Black Tilt out Range Hood - **Model: AGIO30BK**
- AGIO 36 White Tilt out Range Hood - **Model: AGIO36WH**
- AGIO 36 Black Tilt out Range Hood - **Model: AGIO36BK**



Note: Custom front panel shown on photo



230 cfm



3 speed slide



fluorescent



dishwasher safe mesh



24, 30, 36"



3 1/4" x 10" rectangular



SPEED 1 2 3



CFM 75 150 230



W 100 130 150



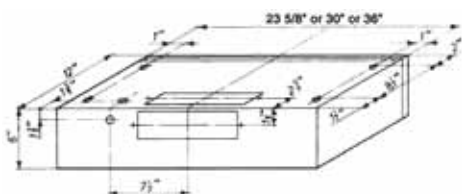
dB(A) 50 55 60



SONES 2.0 3.0 4.0



ACCESSORIES



Description

24 Stainless Front Kit

30 Stainless Front Kit

36 Stainless Front Kit

Charcoal Filter Kit

Model

6000024







6000030

6000036

FILTER3

- SCIROCCO PLUS 30 Stainless Down Draft Range Hood - **Model: SCIR3014SS**
- SCIROCCO PLUS 36 Stainless Down Draft Range Hood - **Model: SCIR3614SS**



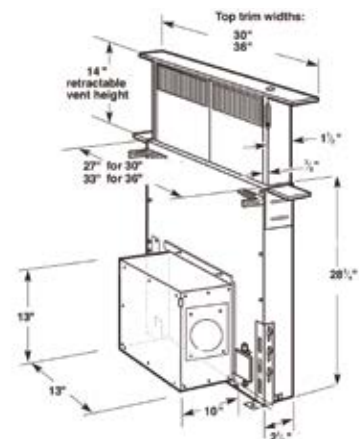
 600 PRO, 900, 1,200 CFM (choose blower)	SPEED	1	2	3
 variable speed slide	CFM	200	400	600
 NA	W	200	225	450
 ss mesh panel	dB(A)	52	60	70
 30, 36"	SONES	2.3	4.0	7.0
 6 OR 10" round				

Note: Wattage calculated using 600 cfm model



ACCESSORIES

Description	Model
Internal 600 cfm PRO blower	IBDD600
Remote blower 900 cfm	RBORIG900
Remote blower 1,200 cfm	RBORIG1200
6" Make Up Air Kit	MUDAMPER6
10" Make Up Air Kit	MUDAMPER10



- SCIROCCO 30 SS Down Draft Range Hood with Blower - **Model: SCIR3008SSIB**
- SCIROCCO 36 SS Down Draft Range Hood with Blower - **Model: SCIR3608SSIB**
- SCIROCCO 30 SS Down Draft Range Hood add Blower - **Model: SCIR3008SSRB**
- SCIROCCO 36 SS Down Draft Range Hood add Blower - **Model: SCIR3608SSRB**



500 OR 900 cfm



variable speed dial



NA



dishwasher safe ss mesh



30, 36"



3 1/4 x 10" rectangle



SPEED 1 2 3



CFM 250 375 600



W 240 280 330

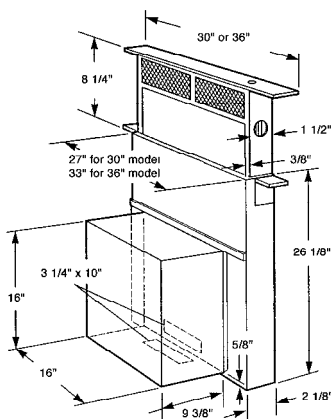


dB(A) 50 60 65



SONES 2.0 4.0 6.0

Note: Wattage calculated using 500 cfm model



ACCESSORIES

Description

Remote blower 900 cfm

6" Make Up Air Kit

10" Make Up Air Kit

Model

RBORIG900

MUDAMPER6

MUDAMPER10



Note: Inca HC pictured inside custom metal housing

INCA PRO PLUS

[RETURN TO INDEX](#)

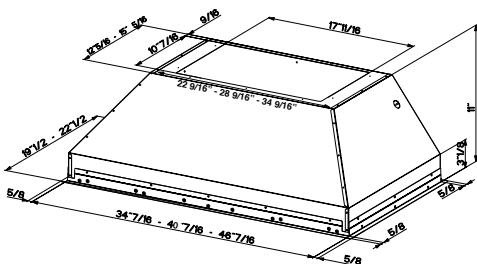
- INCA PRO PLUS 36 X 19 Stainless Insert Range Hood - **Model: INPL3619SS**
- INCA PRO PLUS 42 X 19 Stainless Insert Range Hood - **Model: INPL4219SS**
- INCA PRO PLUS 48 X 19 Stainless Insert Range Hood - **Model: INPL4819SS**
- INCA PRO PLUS 36 X 22 Stainless Insert Range Hood - **Model: INPL3622SS**
- INCA PRO PLUS 48 X 22 Stainless Insert Range Hood - **Model: INPL4822SS**



- 300, 600, 900, 1200 cfm**
(choose blower)
- variable speed dial**
- 2 halogen, two level**
- dishwasher safe baffle**
- 36, 42, 48"**
- 6 OR 10" round**

SPEED	1	2	3
CFM	200	400	600
W	300	340	420
dB(A)	52	60	70
SONES	2.5	4.0	7.0

Note: Wattage calculated using 600 cfm model



ACCESSORIES

Description	Model
Internal 300 cfm blower	IB300
Internal 600 cfm PRO blower	IB600
Internal 1,200 cfm PRO blower	IB1200
Remote blower 900 cfm	RB900
Remote blower 1,200 cfm	RB1200
Charcoal Filter Kit	FILTER1
In-Line Blower Connection Kit	INLBKIT
6" Make Up Air Kit	MUDAMPER6
10" Make Up Air Kit	MUDAMPER10

-INCA PRO 30 Stainless Insert Range Hood - **Model: INPR30SSIB**



600 cfm PRO

3 speed slide

2 halogen

dishwasher safe baffle

30"

6" round

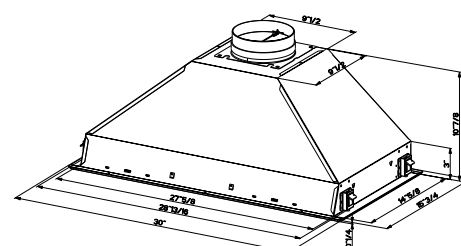
SPEED	1	2	3
CFM	200	400	600
W	190	330	480
dB(A)	52	60	70
SONES	2.5	4.0	7.0

PRO

EASY SNAP

ACCESSORIES

Description	Model
Stainless Liner 36 (21 - 25" depth)	LINE36PR
Charcoal Filter Kit	FILTER1
CFM Reducer Kit	CFMRED
6" Make Up Air Kit	MUDAMPER6

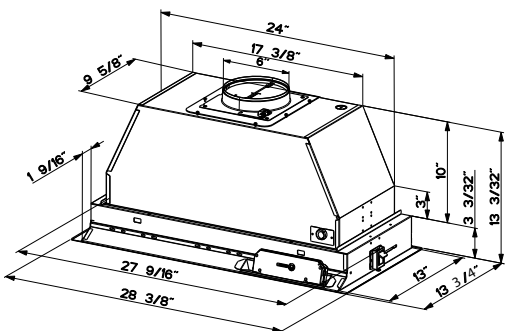


-INCA HC 29 Stainless Insert Range Hood - **Model: INHC29SS**



- 600 cfm**
- Electronic touch with LED**
- 2 halogen**
- dishwasher safe SS mesh**
- 29"**
- 6" round**

SPEED	1	2	3	INT
CFM	270	390	500	600
W	250	290	350	370
dB(A)	55	61	66	71
SONES	2.8	4.3	6.0	7.5














ACCESSORIES

Description	Model
Stainless Liner 30 (16 - 17 7/8" depth)	LINE30ST
Stainless Liner 36 (16 - 17 7/8" depth)	LINE36ST
Charcoal Filter Kit	FILTER1
CFM Reducer Kit	CFMRED
6" Make Up Air Kit	MUDAMPER6

-INCA SMART 28 Stainless Insert Range Hood - **Model: INSM28SS**

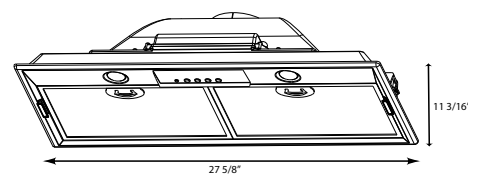


 250 cfm	 SPEED	1	2	3	INT
 Electronic touch with LED	 CFM	65	130	195	250
 2 halogen	 W	104	122	155	190
 dishwasher safe mesh	 dB(A)	37	45	53	55
 28"	 SONES	0.8	1.5	2.5	3.0
 5" round					




ACCESSORIES

<u>Description</u>	<u>Model</u>
Stainless Liner 30 (16 - 17 7/8" depth)	LINE30ST
Stainless Liner 36 (16 - 17 7/8" depth)	LINE36ST
Charcoal Filter Kit	FILTER4














INCA SMART GRAY

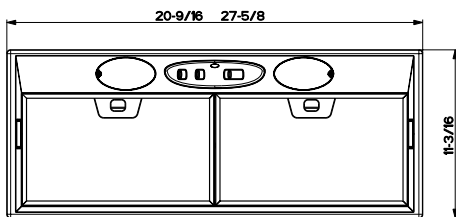
[RETURN TO INDEX](#)

- INCA SMART 24 Gray Insert Range Hood - **Model: INSM24GR**
- INCA SMART 28 Gray Insert Range Hood - **Model: INSM28GR**



 250 cfm	 SPEED	1	2	3
 3 speed slide	 CFM	85	160	250
 2 incandescent	 W	144	162	190
 dishwasher safe mesh	 dB(A)	40	50	55
 24, 28"	 SONES	1.0	2.0	3.0
 5" round				

EASY SNAP



ACCESSORIES

<u>Description</u>	<u>Model</u>
Stainless Liner 30 (16 - 17 7/8" depth)	LINE30ST
Stainless Liner 36 (16 - 17 7/8" depth)	LINE36ST
Charcoal Filter Kit	FILTER4

